

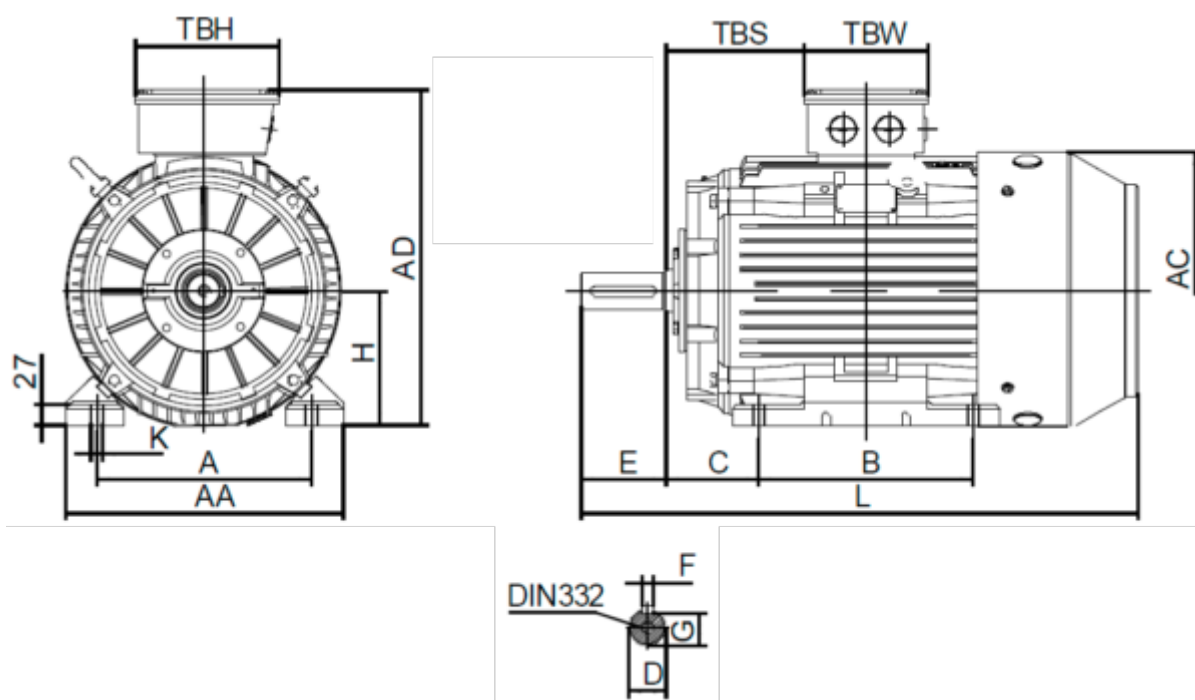
Data Sheet



Article number: 250300400212

Description: Kleedrive T3C 112M-2 4.0KW 2800 rpm
3x230/400V 50HZ IP55 B3 Eff=88,1%

Measures



A = 190	F = 8	TBW = 134
AA = 231	G = 24	
AC = Ø220	H = 112	
AD = 292	HD = 180	
B = 140	K = Ø12	
C = 70	L = 405	
D = Ø28	TBH = 134	
E = 60	TBS = 73	